

Identification and Overview

Weather Shade Kit

- Improves Accuracy of Outside Air Sensors by Reducing Solar Heat Gain
- Simple and Sturdy Mounting Method

External temperature, humidity and air quality sensors can be affected by solar heat gain. The Weather Shade effectively reduces the solar heat gain, improving the accuracy of the sensor.

The shape of the cone and spacing from the wall creates a chimney which draws radiant heat from solar gain away from the sensor. The “domed” top also prevents bird nesting while the smooth surface minimizes hosting of insects.

The Weather Shade is constructed of solar stabilized plastic to ensure a long, corrosion-free life. The material also has a high reflectivity rating (87%) and low emissivity rating (0.90) to reduce the radiant heat created from solar gain. Besides reducing solar heat gain, the shade also protects the probe filter from precipitation and grit, extending the life of the filter.

Part #: N1-WSK-A



Specifications

Shade Material:

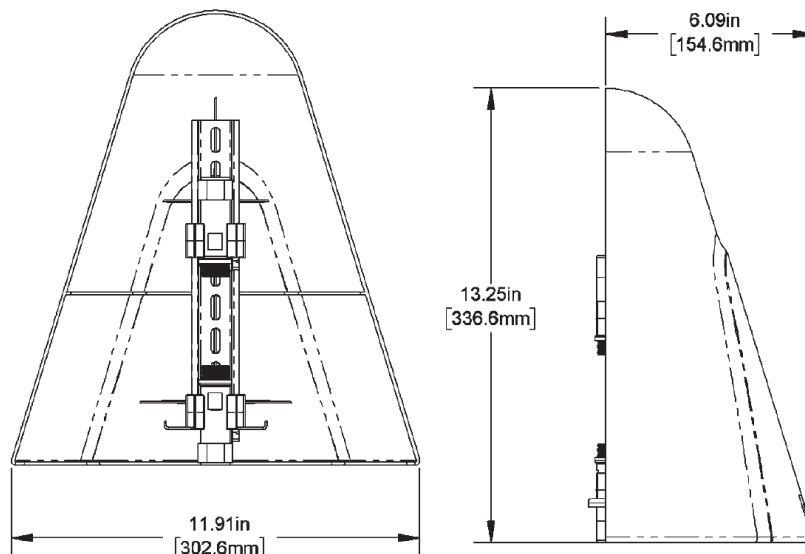
UV-stabilized Polycarbonate

Shade Material Ratings: Flammability: UL 94

UV Exposure: UL746C Reflectivity: 87%

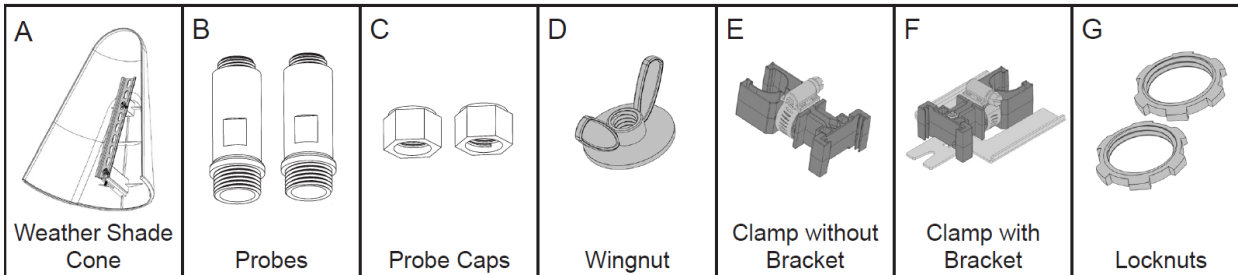
Emissivity: 0.90

Dimensional Drawing



Specifications subject to change without notice.

Mounting
Parts List

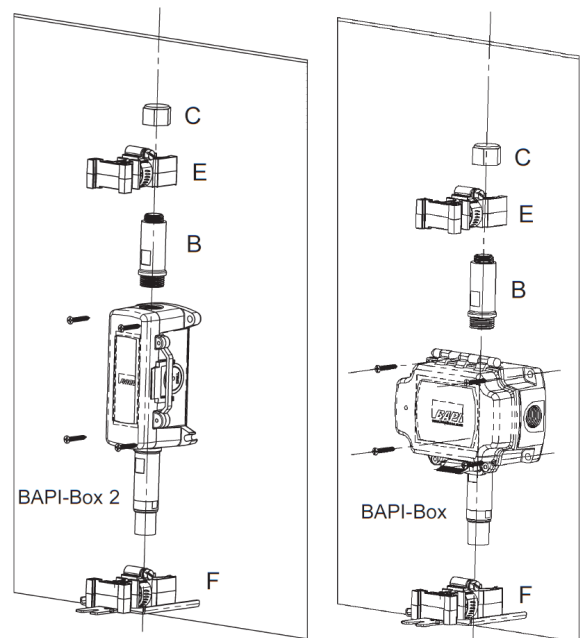


Mounting Instructions

1. Mount Temp/Humidity sensor on a north facing wall.
2. Screw Part B to top of enclosure. See note* below.
3. Place Part E on Part B with screw facing up and tighten hose clamp. Then screw on Part C to top of Part B.
4. Place Part F on bottom probe with hose clamp screw facing up and tighten hose clamp screw.
5. Line up bracket to mounting surface and tighten screw so bracket is flush with mounting surface.
6. Obtain Part A and slide DIN rail through inner slots of Parts E and F and push until it stops.
7. Screw Part D on to bolt of cone (Part A) and fasten to Part F.

*Note: Part G provided if threads do not exist in the enclosure.

**Note: If Weather Shade is swiveling, refer to Step 5 and ensure bracket is flush with mounting surface.



Diagnostics

Possible Problem

Weather Shade appears loose or not firmly mounted.




Possible Solution

Tighten the hose clamps on the top and bottom clamps and make sure the wing nut is tightened firmly against the bottom bracket.

Weather shade does not sit parallel to the wall

Make sure the DIN rail is going through the INNER slot in both the top and bottom clamps.

Appendix – Symbols Key

 Warning	Potential for death, serious injury, or permanent damage to a system.
 Caution	Potential for injury, damage to a system, or system failure.
 Tip	Useful information not related to injury or system damage.