

12/18/23

**Identification and Overview**

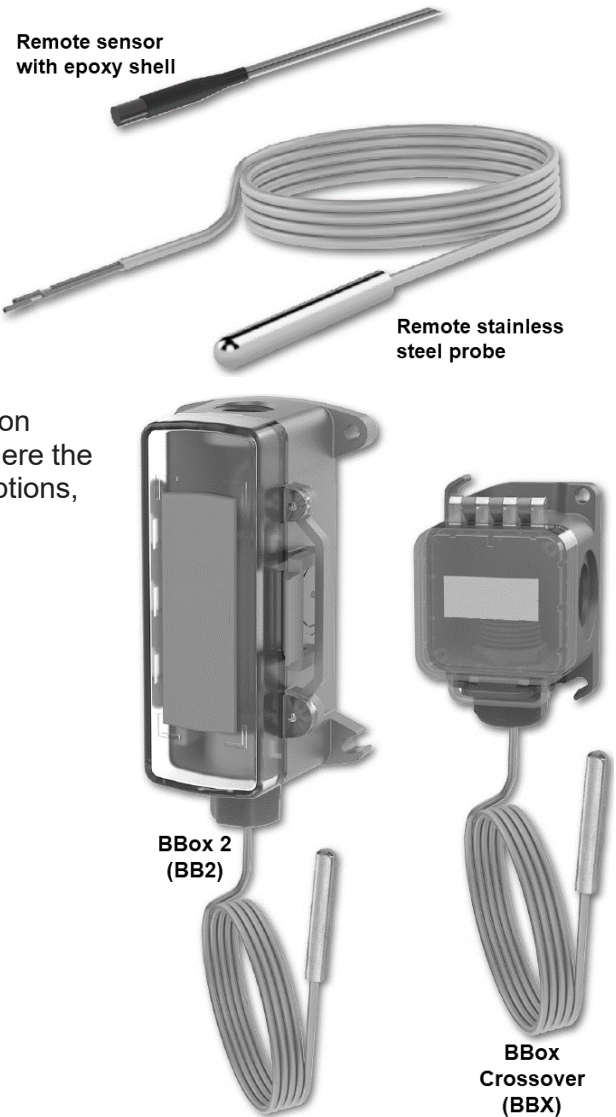
- Etched Teflon Leads on Remote Sensors
- Plenum-Rated, FEP-Jacketed or Halogen-Free Cable
- Double Encapsulated Sensors on Remote Probes

Remote Sensors feature a .75" long encapsulation shell and etched Teflon leads in lengths of 6", 18", 5', 10', 15', 20', and 25'. Remote Sensors are perfect for tight locations. Additional cable options, lead lengths and probe styles are available.

Remote Probes feature a 1.75" long stainless steel probe with either Plenum-Rated Cable, FEP-Jacketed Cable or Halogen-Free Cable. Lead lengths are 18", 5', 10', 15', 20', and 25'.

Remote Probes are commonly used in refrigerated case or strap-on applications. They are ideal for hard-to-access areas or spaces where the usual Immersion or Duct Sensors do not fit well. Additional cable options, lead lengths and probe styles are available upon request.

Remote Sensors and Probes are available with a BBox Crossover enclosure or the BBox 2 enclosure.



**Part #s**

<b>N1-10K-2-RPFEP-100-A</b>	<b>N1-10K-2-RPFEP-10-A</b>	
<b>N1-10K-2-RPFEP-10-BB2-A</b>	<b>N1-10K-2-RPFEP-10-BB4-A</b>	
<b>N1-10K-2-RPFEP-10-BB-A</b>	<b>N1-10K-2-RPFEP-15-A</b>	
<b>N1-10K-2-RPFEP-15-BB-A</b>	<b>N1-10K-2-RPFEP-18-BB-A</b>	
<b>N1-10K-2-RPFEP-18-WP-A</b>	<b>N1-10K-2-RPFEP-20-A</b>	
<b>N1-10K-2-RPFEP2-100-A</b>	<b>N1-10K-2-RPFEP2-10-A</b>	
<b>N1-10K-2-RPFEP2-10-BB2-A</b>	<b>N1-10K-2-RPFEP2-18-A</b>	
<b>N1-10K-2-RPFEP2-20-A</b>	<b>N1-10K-2-RPFEP2-50-A</b>	
<b>N1-10K-2-RPFEP-50-A</b>	<b>N1-10K-2-RPFEP-5-BB4-A</b>	
<b>N1-10K-2-RPFEP-5-WP-A</b>	<b>N1-10K-2-RPP-18-A</b>	<b>N1-10K-2-RPP-5-WP-HFW-A</b>
<b>N1-T1K20-120F-RPFEP2-25-BB2-A</b>	<b>NSB-10K-2-RPFEP-18-A</b>	<b>NSB-10K-2-RPFEP2-25-A</b>
<b>NSB-10K-2-RPFEP2-5-A</b>	<b>NSB-10K-2-RPFEP-5-A</b>	<b>NSB-10K-2-RPP-10-A</b>
<b>NSB-10K-2-RPP-15-A</b>	<b>NSB-10K-2-RPP-25-A</b>	<b>NSB-10K-2-RPP-5-A</b>
<b>NSB-10K-2-RPP-6-A</b>	<b>NSB-50K-RPFEP2-5-A</b>	<b>NSB-50K-RPP-5-A</b>

**Specifications****Environmental Operation Range:**

Temperature Sensor: -40 to 105 °C

Units w/ Plenum-Rated Cable: -20 to 75 °C

Units w/ Halogen-Free Cable: -40 to 90 °C

Temperature Transmitter: -20 to 70 °C

Humidity: 0 to 100%, non-condensing

**Round Probe Material:** Stainless Steel

**Enclosure Material:**

BBox 2: UV-resistant polycarb., UL94 V-0

BBox Crossover:

Cover: Polycarbonate, UL94 V-0

Base: Nylon, UL94 HB

**Sensing Element:** Thermistor or RTD

**BBox Crossover Enclosure Rating:**

IP10, NEMA 1 (IP44 with knockout plug in open port)

**BBox2 Enclosure Rating:**

IP66, NEMA 4X

Encl. Dimensions: H x W x D

BBox Crossover:

3.1 x 2.2 x 1.9" (79 x 56 x 49mm)

BAPI-Box 2: 4.9 x 2.8 x 2.4" (125 x 72 x 60mm)

**Remote Sensors and Probes Option Selection Guide**

Use the Option Selection Guide below to create your custom part number. Replace the number and parenthesis with the designator for each selection. Skip the designator and dashes for optional selections that are not required in your configuration. BA/ ( #1 ) - ( #2 ) - ( #3 )

**#1: Temperature Sensor (required)**

- 10K-2..... 10K-2 Thermistor
- 50K..... 50K Thermistor
- 1K Plat. RTD Transmitters below with 4 to 20 mA Output - BBox2 Enclosure required.
- T1K[20 TO 120F]..... 20 to 120°F Range

**#2: Probe and Cable Options (required)**

**REMOTE PROBE, PLENUM-RATED CABLE**

- RPP-6"..... Remote Probe, 6" Leads
- RPP-18"..... Remote Probe, 18" Leads
- RPP-5'..... Remote Probe, 5' Leads
- RPP-10'..... Remote Probe, 10' Leads
- RPP-15'..... Remote Probe, 15' Leads
- RPP-25'..... Remote Probe, 25' Leads

**REMOTE PROBE, FEP-JACKETED CABLE**

- RPFEP-18"..... Remote Probe, 18" Leads
- RPFEP-5'..... Remote Probe, 5' Leads
- RPFEP-10'..... Remote Probe, 10' Leads
- RPFEP-15'..... Remote Probe, 15' Leads
- RPFEP-20'..... Remote Probe, 20' Leads

**REMOTE PROBE, FEP-JACKETED CABLE SUITABLE FOR SUBMERSION**

- RPFEP2-18"..... Remote Probe, 18" Leads
- RPFEP2-5'..... Remote Probe, 5' Leads
- RPFEP2-10'..... Remote Probe, 10' Leads
- RPFEP2-20'..... Remote Probe, 20' Leads
- RPFEP2-25'..... Remote Probe, 25' Leads

**#3: Enclosure**

- (optional, BB2 required for units with transmitter)
- BBX..... BBox Crossover (IP10)
- BB2..... BBox 2 (IP66, NEMA 4X)

**Example Number:** BA/( 10K-2 ) - ( RPP-18" ) - ( BBX ) - A

**Actual Number (with parenthesis removed):** BA/10K-2-RPP-18"-BBX-A

**Description:** 10K-2 Thermistor, Outside Air Temperature Sensor, Remote Probe with Plenum Rated Cable, 18" Cable Leads, BBox Crossover Enclosure.