

Overview

“Particulate matter” (PM) is the general term used to describe solid particles and liquid droplets found in the air. The PM series of transmitters are designed to measure Particulates that include smoke, smog, bacteria, fine dust, liquid droplets, and report the total particle concentration of the monitored environment. PM series transmitters utilize a laser particulate matter sensor, that is offered in two different measuring ranges. The PM series transmitters operate on a laser scattering principle, utilizing a fan sampling method.

The PM2.5 is designed to detect Particles less than 2.5 μm in diameter. The PM10 is designed to detect Particles less than 10 μm in diameter.

The sensor has two jumper selectable working modes for monitoring PM. The Normal Mode monitors the environment continuously and Auto Mode reduces the measuring time to extend service life. The sensor is sent default in Auto Mode.



Part Numbers

N2-PM-R N2-PM-R-LCD

Specifications

Supply Voltage:	16-28VAC/16-35VDC (Reverse Polarity Protection)
Output Load Resistance:	4-20 mA: 500 Ohms maximum 0-10 VDC: 2K Ohms minimum
Detection Particle Size:	PM2.5: 0.3 ~ 2.5 μm PM10: 0.3 ~ 10 μm
Sensing Range:	PM2.5: 0 ~ 500 $\mu\text{g}/\text{m}^3$ PM10: 0 ~ 600 $\mu\text{g}/\text{m}^3$
Output:	4-20mA (Default), 0-10VDC
Relay:	N.O. rated 3A @ 30VDC, 3A @ 250VAC
Relay Trip Point:	100 $\mu\text{g}/\text{m}^3$
Accuracy:	+/- 10 $\mu\text{g}/\text{m}^3$ @ 0 ~ 100 $\mu\text{g}/\text{m}^3$, +/- 10% reading @ 100 ~ 500/600 $\mu\text{g}/\text{m}^3$ @ 25°C/50%RH
Resolution:	1 $\mu\text{g}/\text{m}^3$
Response Time:	In continuous service mode, sample time <1s, response time <10s
Warm Up Time:	15 minutes
Service Life:	MTBF more than 3 years in continuous service mode, service life up to 8-10 years in auto (intermittent) service mode
Communication Protocol:	Modbus RTU; EIA RS-485
Sensor Addresses:	1-247
Support Baud Rates:	4800 or 9600
Parity:	None/Even/Odd
Stop Bits:	1

N2-PM-R, N2-PM-R-LCD – 8/14/23

Data Bits:	8
Connections/Wire Size:	Screw Terminal Blocks / 16 AWG (1.31 mm ²) to 22 AWG (0.33 mm ²)
Terminal Block Torque Rating:	0.45 lbf-in (0.5 Nm) nominal
Operating Temperature Range:	32 to 122°F (0 to 50°C)
Storage Temperature Range:	-30 to 70°F (-34 to 21°C)
Operating Humidity Range	10 to 95% RH, non-condensing
Enclosure Protection:	IP30
Enclosure Material / UL Flammability:	ABS Plastic / UL94V-0

Product Drawings

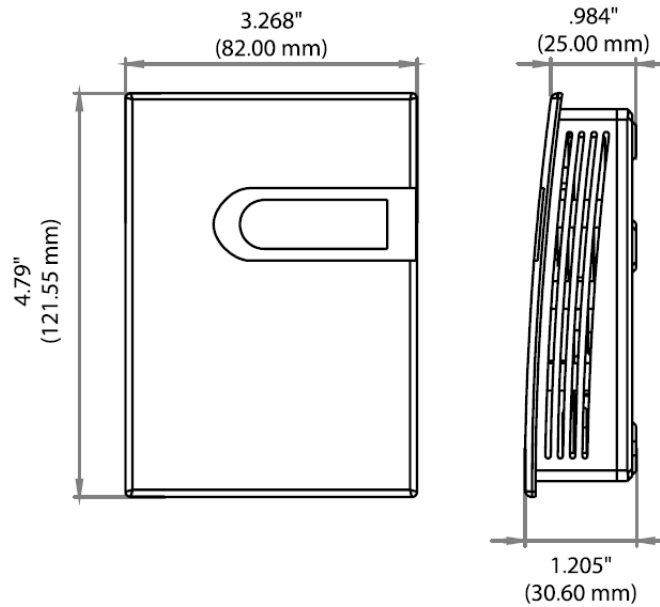




Figure 1: Enclosure Dimensions

Mounting Instructions

 Caution	<ul style="list-style-type: none"> • This product uses a laser particulate matter sensor. It is strictly prohibited to be disassembled. It is dangerous if the human body is exposed to the laser directly. • If the environment exceeds the measurement range for an extended period, it may lead to a decrease of the measurement accuracy. • The performance of the sensor may be decreased due to excessive dust and oil mist, etc. in extreme environments. (i.e.: high humidity, high temperature) • Avoid strong light into the housing. • Avoid vibration.
---	---

 Tip	<p>For optimal temperature readings, follow these tips:</p> <ul style="list-style-type: none"> • Avoid air registers, diffusers, vents, and windows • Avoid confined areas such as shelves, closed cabinets, closets, and behind curtains. • Eliminate and seal all wall and conduit penetrations. Air migration from wall cavities may alter readings. • Do not install near heat sources. e.g.: lamps, radiators, direct sunlight, copiers, chimney walls, walls concealing hot-water pipes
---	---

1. Separate the cover from the base by inserting a flat-head screwdriver into the top slot marked "OPEN".
2. Pry the cover forward.
3. Attach the base directly to a wall or to a standard 2" by 4" junction box using two (2) #6x32x1" screws.

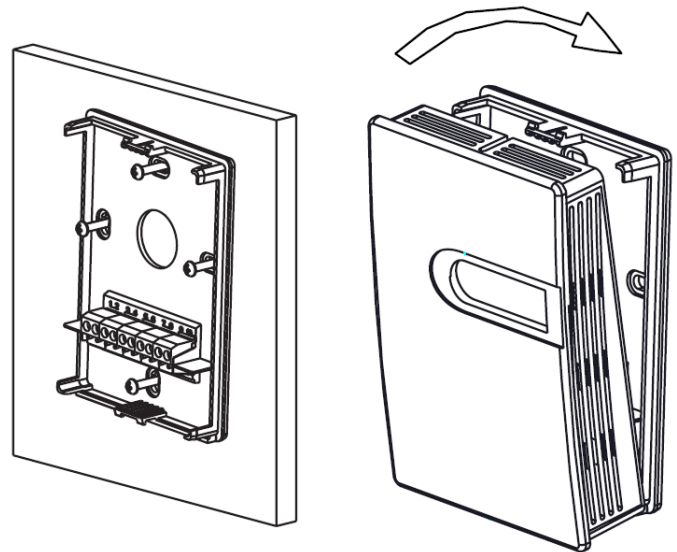


Figure 2: Backplate

- Refer to the wiring instructions to make necessary connections. After wiring, attach the cover to the base by snapping the top of the cover on first and then the bottom.

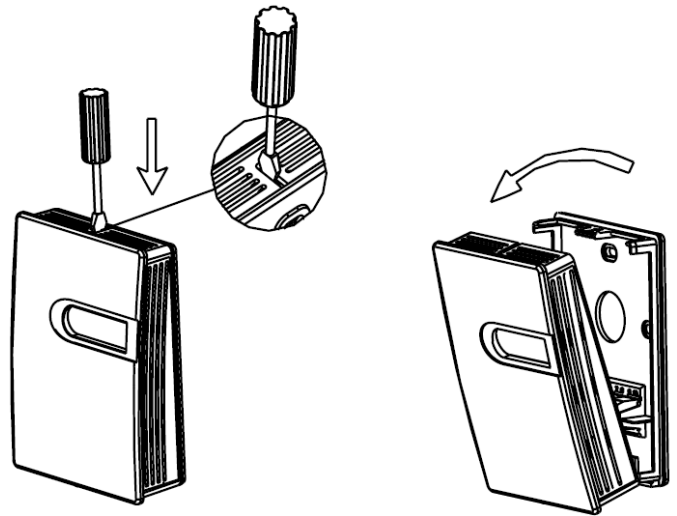





Figure 3: Opening Cover

 Tip	<p>Take care when mounting. Check local code for mounting height requirements. Typical mounting heights are 48-60" (1.22-1.52m) off the ground and at least 1.5' (0.5m) from the adjacent wall. The sensor should be mounted in an area where air circulation is well mixed, and not blocked by obstructions.</p>
---	---

Wiring Instructions

 Caution	<ul style="list-style-type: none"> DO NOT RUN THE WIRING IN ANY CONDUIT WITH LINE VOLTAGE(24/120/230VAC). Remove power before wiring. Never connect or disconnect wiring with power applied. It is recommended that you use an isolated UL-listed Class 2 transformer when powering the unit with 24 VAC. Failure to wire the devices with the correct polarity when sharing transformers may result in damage to any device powered by the shared transformer. If the 24 vdc or 24vac power is shared with devices that have coils such as relays, solenoids, or other inductors, each coil must have an mov, dc/ac transorb, transient voltage suppressor, or diode placed across the coil or inductor. The cathode, or banded side of the dc transorb or diode, connects to the positive side of the power supply. Without these snubbers, coils produce very large voltage spikes when de-energizing that can cause malfunction or destruction of electronic circuits.
---	--

 Tip	<ul style="list-style-type: none"> We recommend 16 to 26 AWG twisted pair wires or shielded cable for all transmitters. We recommend using BELDEN 3105 for communication (Modbus) wiring. This wire has 120 ohm input impedance. The terminal blocks allow for (1) or (2) wires to be connected in each position for daisy chaining. Daisy chain the RS-485 wiring and do not use "Star" or "T" wiring. Avoid running communication wires next to AC line voltage wires. These can be sources of noise that can affect signal quality.
---	--

N2-PM-R, N2-PM-R-LCD – 8/14/23

NOTE Different models have different electrical terminals.

- Terminal 3 is 0-10 VDC Output.
- Terminal 4 is 4020 mA Output.

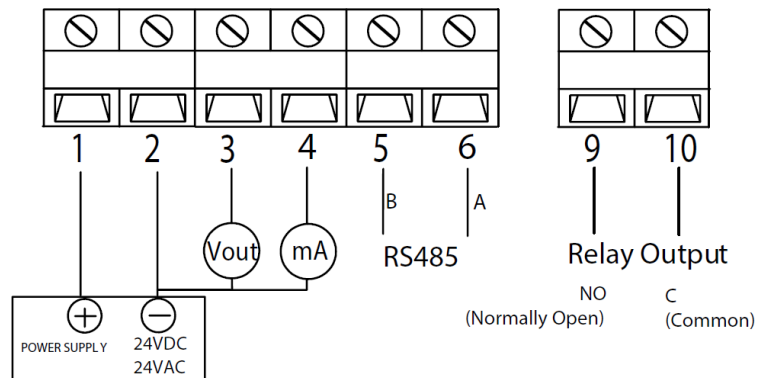


Figure 4: Wiring

Mode Selection

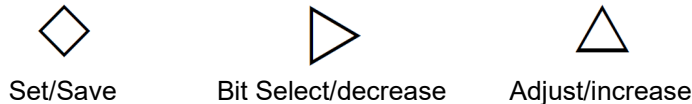
There are two working modes, automatic mode (AUTO) and continuous mode (NORMAL). AUTO mode will automatically reduce the measuring time to extend the service life of the sensor when the dust concentration changes very slightly. Use MODE jumper to choose the mode. The factory default mode is AUTO.



Figure 5: Mode Selection

Menu Adjustments

1. Button Definition



Users can adjust the parameters.

The backlight of LCD will be off after 30s without any key's operation.




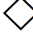
NOTE The LCD displays "----" when the settings are successful, and displays "Err" when failed.

2. Operation Instructions

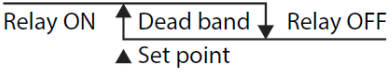
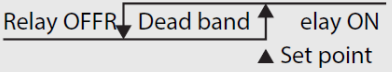
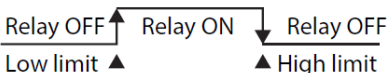
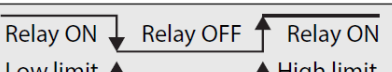
Users can adjust the transmitter parameters. Push the button to enter programming. "P000" appears. Push the button to select the Column and push the button to cycle 0-9 settings. Select different Codes to enter corresponding parameter group settings.

Code	Description	Default Value	Parameters
P999	Factory Reset	NA	
P401	Relay Settings(see below for sub menu)	Mode:2 Set Point: 100 Dead Band: 5 On Delay: 3(S) Off Delay: 1(S)	(see below for sub menu)
P483	RS485 Baud Rate	9600	4800, 9600
P484	RS485 Parity	0(None)	0(None), 1(Odd), 2(Even)
P485	RS485 Address	1	1-255 (1-32 recommended)

NOTES

- P999 Reset: Once entered, rST is displayed. Press the  button. All factory default settings will be restored.
- P161 1 Point Calibration: The current value is displayed. Press the  button to increase an offset. Press the  button to decrease an offset. The single point offset is shown. After 2 seconds, the new reading(Current Value + Offset) is shown. Press the  button to accept changes.
- P401 Relay Settings: Once entered, the current Mode is shown. Followed by Parameter #1, Par. #2, Par. #3, Par. #4

Relay Parameters and Descriptions

Mode	Mode Description	PARA. #1	PARA. #2	PARA. #3	PARA. #4	Definition
0	Disable Relay	N/A	N/A	N/A	N/A	Relay OFF
1	Activate Relay Below Set Point	Set Point	Dead Band	Actuate Delay(S)	Restore Delay(S)	
2	Activate Relay Above Set Point	Set Point	Dead Band	Actuate Delay(S)	Restore Delay(S)	
3	Activate Relay Between High and Low Limits	Low Limit	High Limit	Actuate Delay(S)	Restore Delay(S)	
4	Activate Relay Outside High and Low Limits	Low Limit	High Limit	Actuate Delay(S)	Restore Relay(S)	

3. System Error Signal

ERROR CODE	POSSIBLE PROBLEMS	SOLUTION
Err	Key input error	Input correct code
Er4	The sensor’s reading is abnormal	Check if the sensor is in good connection with the PCB

Device Configuration through MODBUS RTU

MODBUS RTU INTERFACE

The Modbus Remote Terminal Unit (RTU) data link protocol uses EIA-485 as a two-wire, daisy chain network. A branch is a discrete chain of devices connected to a controller. The max number of devices per segment is (32), as per the Modbus specifications. 4000 ft (1219.2 m) is the maximum recommended length for a segment, which includes all devices from the controller to the last device in the daisy chain.

Each branch must have all devices connected with (A) connected to (A) and (B) connected to (B). If a shielded cable is used, this is not to be connected to the devices. The shield cable should only be connected on one end to earth ground, usually at the controller.

Each device must be configured for the correct baud rate and have a unique address in each branch. The baud rate for the branch is set by the controller.

EOL TERMINATION RESISTANCE SELECTION

RS-485 requires that the last device in a chain have a termination resistor. This is controlled using a jumper in the center and right pins (120 Ω) position marked on FIGURE 7. When the jumper is set to 120 Ω, a 120 Ω resistance is added in parallel to the data line. When the jumper is set to left and center pins(disabled), the resistance is not added. By default, the jumper is placed in the disabled position.

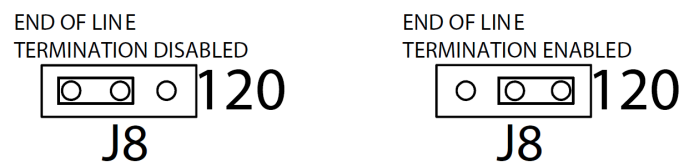
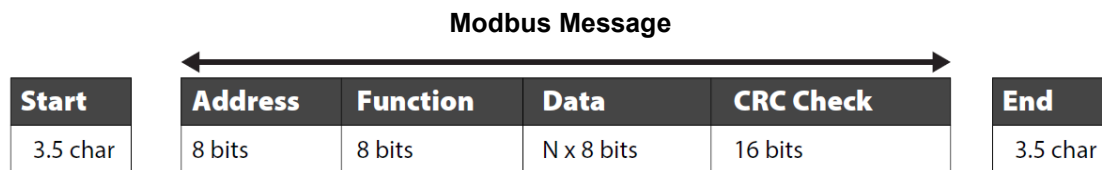


Figure 6: EOL Termination

A typical Modbus RTU mode message frame is shown below. In the Modbus RTU mode, the messages between frames are separated by at least 3.5 characters time’s silent interval. If the silent interval between two characters is more than 3.5 characters time, the former character was transferred successfully, and the current character’s transmission starts.



Address Selection

Modbus can locate up to 256 different addresses, including valid addresses from 1-247. Address 0 is for broadcast and address 248~255 are reserved for special addresses.

Slave address can be set with compatible Modbus RTU software or via Menu selection (see above for Menu Adjustments). Default address is 1.

Baud Rate, Data Bits, Parity, and Stop Bits Selection

Baud rate is set to 9600, but can also be configured to 4800 via the register or via Menu selection (see above for Menu Adjustments).

The device that requests information is called the Modbus Master and the devices giving the information are Modbus Slaves. The Modbus sensors are slave devices and the number of Data Bits needs to be the same as in the Master device configuration. Modbus RTU sensors utilize 8 data bits during communication exchange.

Parity default setting is NONE. Stop bit default setting is 1. Both settings can adjusted via the register or via Menu selection (see above for Menu Adjustments).

Function

The function code is the second data in the frame. Valid function codes are from 0~127 (01H~7FH). See the relevant Modbus standard. It supports 03H/06H function codes, shown as the following Modbus Poll software. The detail register addresses are in: 6 General registers table.

Broadcast Mode to Write Data to Slave

Using broadcast mode, customer can write data to all slaves connected to the network. Address of broadcast mode to write data is 0.

For example: change slave address with broadcast mode, customer can set a new slave address. Note: since this operation will modify all the addresses of the slavers to the same address, it is NOT applicable for network of more than one slave.

Special Mode to Read Data from Slave

With the special mode, customer can read the register data under the circumstance of NOT knowing the slave address. Address of special mode read data: 255 (0xFF)

NOTE This operation is applicable for ONLY ONE slave in the network.




MODBUS RTU

Register Address	R/W	Type	Definition	Remarks
40001, 00000	R	Signed	Product code	PM series Product code: 9070
40002, 00001	R	Signed	PM2.5 Value	PM2.5 = Value , ug/m ³
40003, 00002	R	Signed	PM10 Value	PM10 = Value , ug/m ³
.....				
40014, 00013	R/W	Signed	RS485-Modbus RTU slave address	Default slave address =1, (RTU,9600,n,8,1)
.....				
40016, 00015	R/W	Signed	Function register	Write 40016=21845 to reset to factory default setting
40017, 00016	R/W	Signed	Relay Control Mode	0: Off 1: Relay activated Below the set point. 2: Relay activated Higher than set point. 3: Relay activated in the set range 4: Relay activated outside the set range
40018, 00017	R/W	Signed	Back up	
40019, 00018	R/W	Signed	Set point (mode 1 or 2) low limit (mode 3 or 4) regional	Relay control parameters set
40020, 00019	R/W	Signed	Dead band (mode 1 or 2) high limit(mode 3 or 4)	
40021, 00020	R/W	Signed	Start delay	
40022, 00021		Signed	Stop delay	
.....	R/W			
40029, 00028	R/W	Signed	Baud rate	Baud rate: 9600(default) or 4800
40030, 00029	R/W	Signed	Parity	Parity : 0: NONE, 1: ODD, 2: EVEN

NOTES

- 40001 is PLC mode ADDRESS (BASE 1); 00000 is PROTOCOL ADDRESS (BASE 0).
- Function register 40016: Use the 06 function code to write password (21845) to the register 40016 to return to the factory set.

Appendix – Symbols Key

 Warning	Potential for death, serious injury, or permanent damage to a system.
 Caution	Potential for injury, damage to a system, or system failure.
 Tip	Useful information not related to injury or system damage.